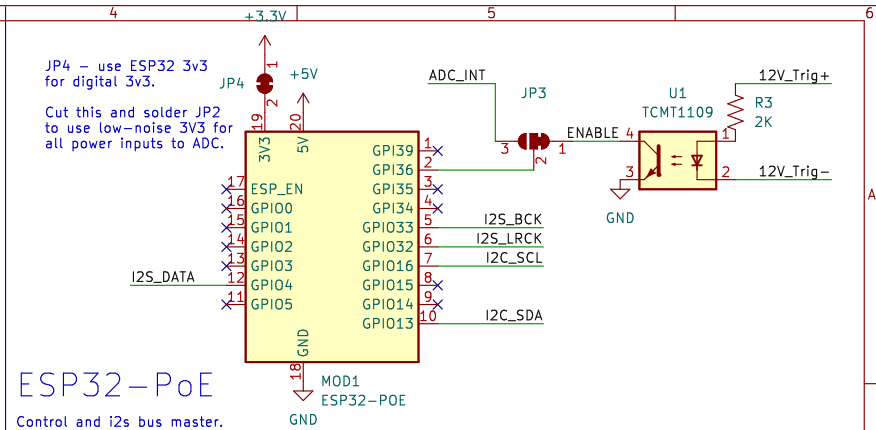
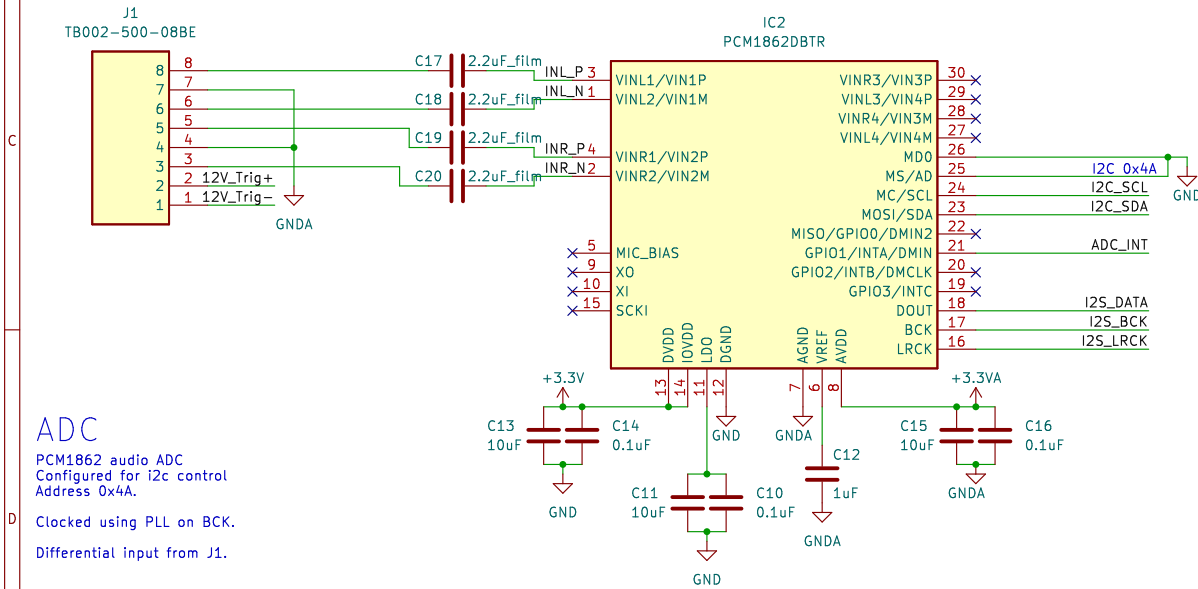


- H1 MountingHole
- H3 MountingHole



- Unusable pins:**
- GPIO0 - programming
  - GPIO1 - programming UART TX
  - GPIO2 - pulled up, used for SD/MMC
  - GPIO3 - programming UART RX
  - GPIO5 - 10K pull-up
  - GPIO14 - used for SD/MMC
  - GPIO15 - pulled up, used for SD/MMC
  - GPIO34 - used by button, pulled up.
  - GPIO35 - used for battery measurement
  - GPIO36 - 10K pull-up - use with caution.
  - GPIO39 - external power sense
- Safe to use pins:**
- GPIO13 as I2C-SDA
  - GPIO16 as I2C-SCL
  - GPIO32 - i2s LRCLK
  - GPIO33 - i2s BCK
  - GPIO4 - i2s DATA
  - GPIO36 - GPI (with 10K pull-up) for enable.



Sheet: /		File: esp_adc.kicad_sch	
<b>Title:</b>			
Size: A4	Date:	Rev:	
KiCad E.D.A. kicad 7.0.7		Id: 1/1	