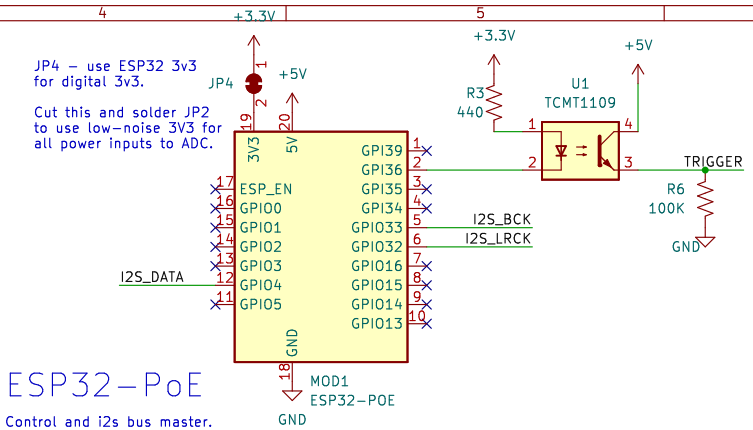


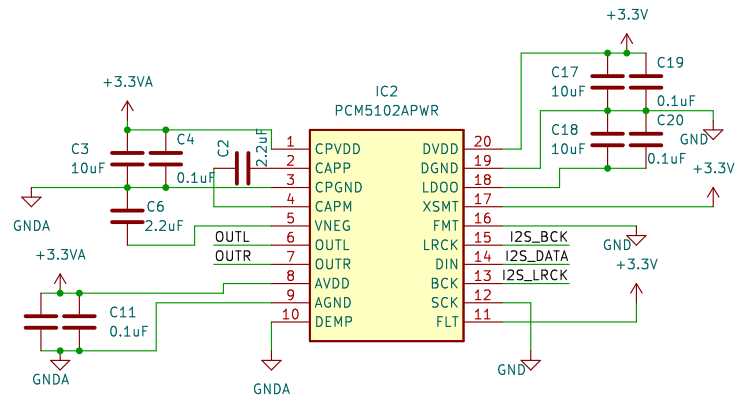
Analog Power
Low-noise power regulation for 3.3V analog domain.
JP2 allows depop if not req'd.

- H1 MountingHole
- H2 MountingHole
- H3 MountingHole
- H4 MountingHole

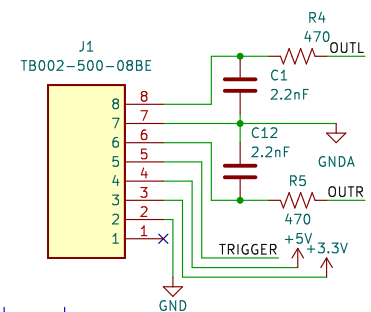


ESP32-PoE
Control and i2s bus master.

- Unusable pins:**
- GPIO0 - programming
 - GPIO1 - programming UART TX
 - GPIO2 - pulled up, used for SD/MMC
 - GPIO3 - programming UART RX
 - GPIO5 - 10K pull-up
 - GPIO14 - used for SD/MMC
 - GPIO15 - pulled up, used for SD/MMC
 - GPIO34 - used by button, pulled up.
 - GPI35 - used for battery measurement
 - GPI36 - 10K pull-up - use with caution.
 - GPI39 - external power sense
- Safe to use pins:**
- GPIO13 as I2C-SDA
 - GPIO16 as I2C-SCL
 - GPIO32 - i2s LRCLK
 - GPIO33 - i2s BCK
 - GPIO4 - i2s DATA
 - GPI36 - GPI (with 10K pull-up) for enable.



DAC
PCM5102 audio DAC
Strapping configuration.
Clocked using PLL on BCK.
XSMT - soft mute off.
SCK - gnded to trigger PLL.
FLT - low-latency
FMT - I2S (not left-justified)



Interface Header
Audio out + Trigger Output.

Trigger output is active-high at 5V.
Intended to be active when audio is streaming.

Sheet: /		File: esp_dac.kicad_sch	
Title:			
Size: A4	Date:	Rev:	
KiCad E.D.A. kicad 7.0.7		Id: 1/1	